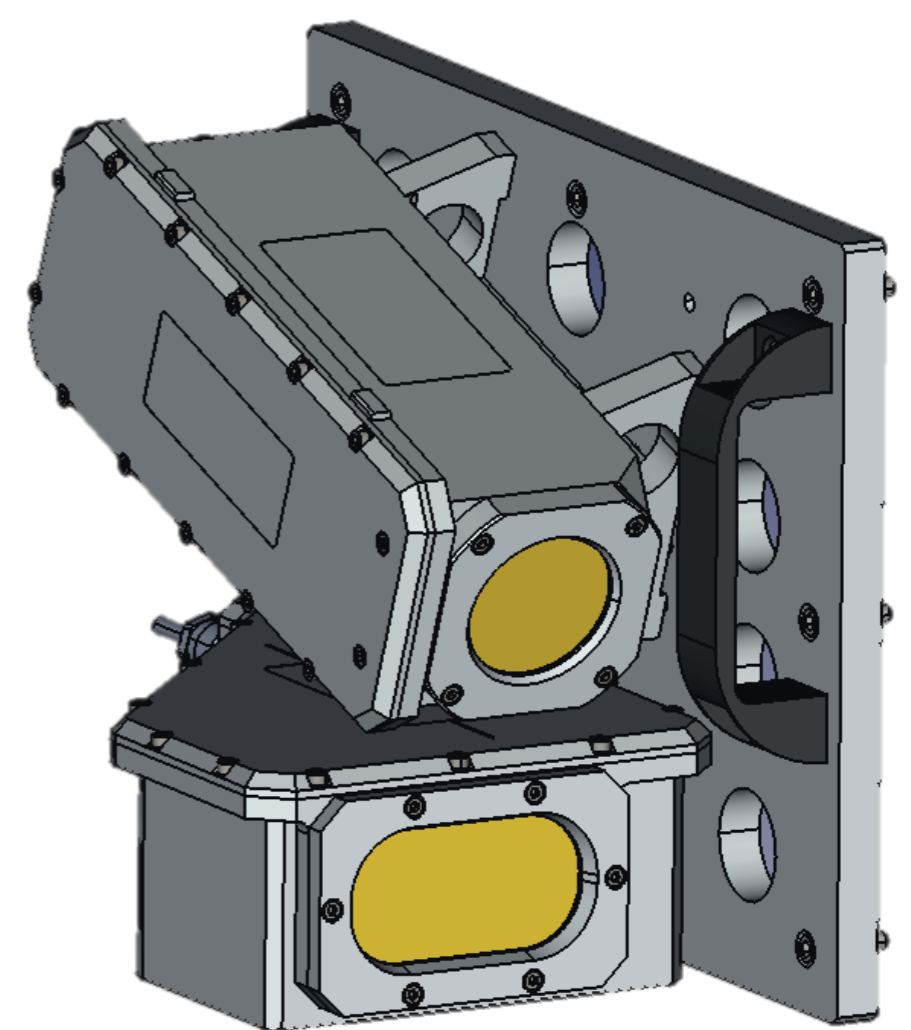


TRIDIMEO

New-Generation 3D Cameras for
Quality Inspection
and **Robotic Guidance**



TRIDIMEO



→ **Multispectral 3D Cameras**

3D image:

- Acquisition frequency: up to five 3D images/s.
- Depth resolution: depends on working distance (e.g. 0.4 mm @ 30 cm).
- Low noise level.
- Highly robust on edges and occlusions.

Multispectral image:

- Material or feature identification.
- Product color monitoring.

→ **Applications**

Quality inspection on the manufacturing line (shape, color, etc.).

Robotic guidance.

3D face scanning.

etc.

david.partouche@tridimeo.com | www.tridimeo.com