

# ADAS

## Simulation for Validation of Open Systems

### Challenge

Tools for ADAS must:

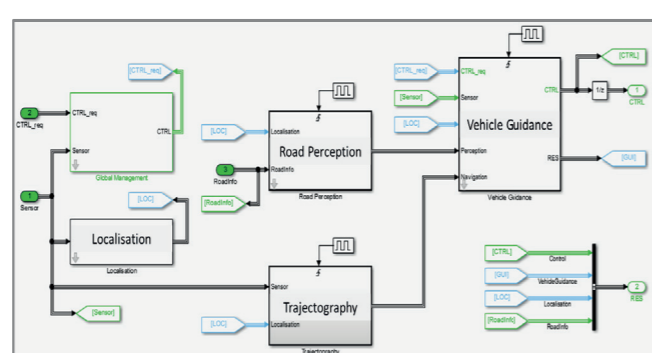
- Foster innovation
- Account for multiple viewpoints
- Deal with open systems of systems



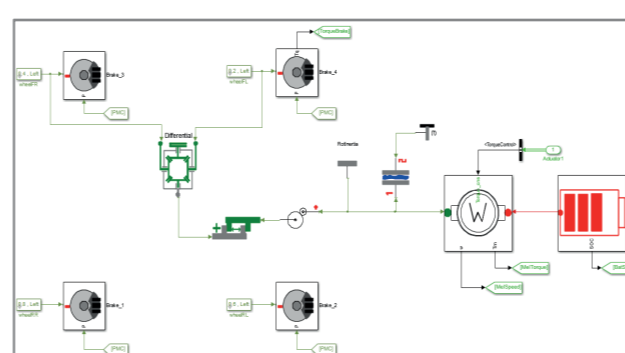
### Innovation

**PhiSystem** by Sherpa Engineering and CEA LIST: a tool methodology based on modelling and simulation standards.

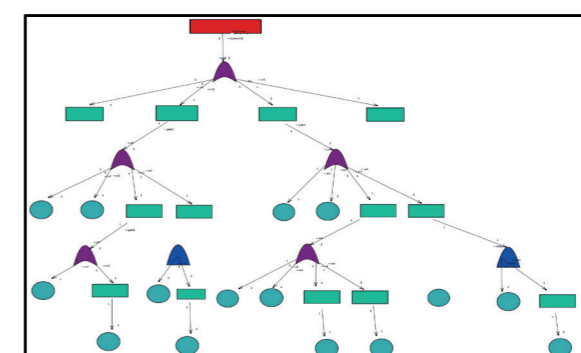
#### Multiple viewpoints modelling



Functional



Multi-physics



Safety

**Improved innovation and reuse** design choices gradually inserted



**Open systems Validation** simulation libraries for drivers, cars, their environment

#### Modelling standards compliance



### Benefits

Quality improvement and design cost reduction

- Fast transition between system definition and simulation models
- Early phase validation: executable models
- Collaborative work: model exchange procedure
- Innovation incubator: choices are gradually inserted

### Contact

[arnaud.cuccuru@cea.fr](mailto:arnaud.cuccuru@cea.fr)

